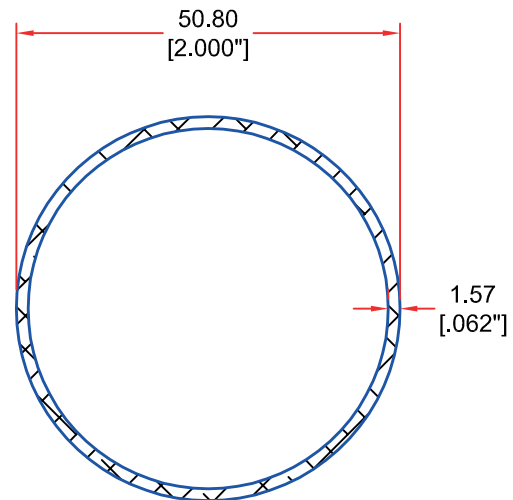


SUP. EXP.	SUP. ANOD.	SUP. PINTABLE	DADO
15.96 cm	15.96 cm	15.96 cm	<b>22196</b>



ESTIMADOS	PESO	<b>0.692</b>	kg/m.	<b>0.465</b>	lb/ft.
	PERIMETRO	<b>30.881</b>	cms.	<b>12.158</b>	Inch.
	AREA	<b>2.549</b>	cms^2	<b>0.395</b>	Inch^2
	CIRCULO	<b>5.08</b>	cms.	<b>2.00</b>	Inch.
	FACTOR	<b>26</b>	ALEACION: <b>6063</b>		TEMPLE: <b>5</b>